

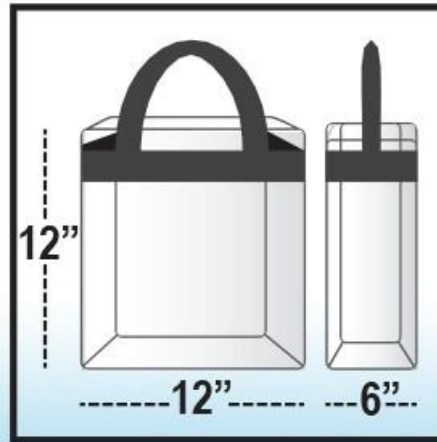


CLEAR BAG POLICY

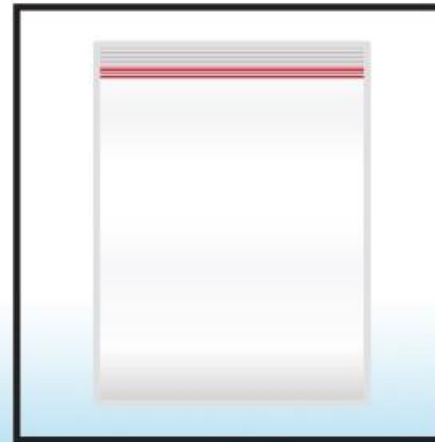
Approved Bags



Bags smaller than
5.5" x 8.5"



Clear Bag smaller than
12" x 6" x 12"



1-Gallon Plastic
Freezer Bag



Medically Necessary
and Diaper Bags*

***Medically Necessary & Diaper Bags must be properly inspected by Security Personnel at the entrance!**

Marion County School Announces Athletics Clear Bag Policy In order to provide a safe and secure environment for our parents, community members, students, athletes, staff, and officials.

Marion County Schools Athletics Clear Bag Policy

In order to provide a safe and secure environment for our parents, community members, students, athletes, staff, and officials, Marion County Schools will implement a Clear Bag Policy for all athletic events effective August 2019. School staff will implement security checkpoints and approved bag searches.

Approved Bags

- Clear plastic or vinyl bags that do not exceed 12" x 6" x 12"
- One-gallon clear plastic freezer bag

- Small clutch bags no larger than 4.5" x 6.5" – approximately the size of a hand, with or without a handle or strap
- Medically necessary items (after proper inspection at the entrance)
- Diaper bags (with an infant/toddler – after proper inspection at the entrance)

Prohibited bags include, but are not limited to:

- Purses larger than a clutch bag
- Briefcases
- Backpacks
- Fanny packs
- Cinch/Drawstring bags
- Luggage of any kind
- Computer bags/Camera Bags

Other Prohibited items include, but are not limited to:

- Coolers
- Weapons/concealed weapons
- Alcoholic beverages
- Containers of any kind
- Aerosol and spray cans
- Mace/pepper spray
- Animals (except service animals)
- Laser lights, strobe lights, and pointers
- Irritants such as artificial noisemakers

- Fireworks/explosives
- Inflatables (beach balls, etc.)
- Masks of any kind
- Drones

Frequently Asked Questions

Why is Marion County Schools adopting this policy for all events?

The safety and security of our fans, community members, and students is our number one priority? This proactive measure will enhance the safety inside our stadiums and gymnasiums and will speed up the screening process.

What happens if I arrive to the game with a bag that is not permitted?

Fans with a prohibited bag will not be permitted inside the event. Fans will need to return the prohibited bag to their vehicle.

How does this expedite my entry into the stadium or gymnasium?

This policy enables us to move guests through our security checkpoints faster, allowing staff to be more efficient and effective in checking approved bags that are brought into the venue.

What about items such as stadium seats and blankets?

Fans will be allowed to enter with a stadium seat and/or blanket. These items are easily screened.